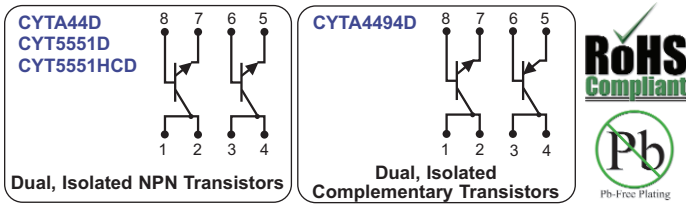


New SOT-228 Surface Mount Dual Transistors



features

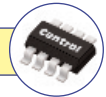
- Dual Transistors in the new SOT-228 eight (8) lead SMD package
- High Voltage and High Current Devices
- Utilizes 50% less board space than two SOT-223 devices

description

The CYTA44D, CYTA4494D, CYT5551D, and CYT5551HCD types are dual transistors packaged in the new SOT-228 eight (8) lead SMD case. These devices provide space saving over standard devices in the SOT-223. Ideal for high voltage amplifier applications.

Sample Devices
available
upon request.

selection guide



TYPE NO.	CONFIGURATION	BV _{CB0}	BV _{CEO} *BV _{CES}	BV _{EBO}	I _{CB0} @ *I _{CEV}	V _{CB} @ V _{CE}	h _{FE}		@ V _{CE}	@ I _C	V _{CE(SAT)} @	I _C	C _{ob}	f _T	Case Type
		(V) MIN	(V) MIN	(V) MIN	(nA) MAX	(V)	MIN	MAX	(V)	(mA)	(V) MAX	(mA)	(pF) MAX	(MHz) MIN	

Dual, High Voltage **NPN** Transistors

CYTA44D	Dual, Isolated NPN Transistor	450	400	6.0	100	400	50	200	10	10	0.40	1.0	7.0	20	SOT-228
---------	-------------------------------	-----	-----	-----	-----	-----	----	-----	----	----	------	-----	-----	----	---------

Dual, High Voltage **Complementary NPN/PNP** Transistors

CYTA4494D	Dual, Isolated Complementary NPN & PNP Transistor	450	400	6.0	100	350	50	200	10	10	0.40	1.0	7.0	20	SOT-228
-----------	---	-----	-----	-----	-----	-----	----	-----	----	----	------	-----	-----	----	---------

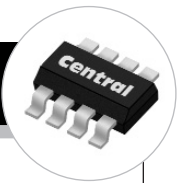
Dual, High Voltage **NPN** Transistors

CYT5551D	Dual, Isolated NPN Transistor	180	160	6.0	50	120	80	250	5.0	10	0.20	50	15	100	SOT-228
----------	-------------------------------	-----	-----	-----	----	-----	----	-----	-----	----	------	----	----	-----	---------

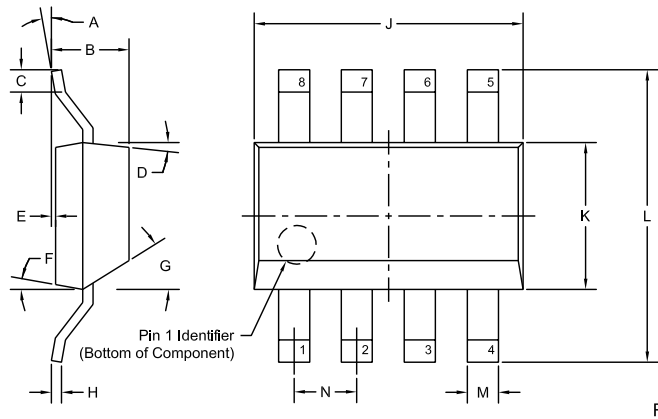
Dual, High Current, High Voltage **NPN** Transistors

CYT5551HCD	Dual, Isolated NPN Transistor	180	160	6.0	50	120	80	250	5.0	10	0.20	50	15	100	SOT-228
------------	-------------------------------	-----	-----	-----	----	-----	----	-----	-----	----	------	----	----	-----	---------

New SOT-228 Surface Mount Dual Transistors



Mechanical Specifications SOT-228

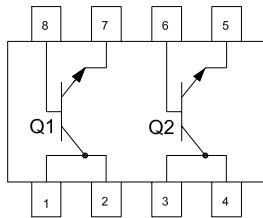


SYMBOL	INCHES		MILLIMETERS	
	MIN	MAX	MIN	MAX
A	0°	10°	0°	10°
B	---	0.075	---	1.90
C	0.018	---	0.45	---
D	4°	10°	4°	10°
E	0.000	0.004	0.00	0.10
F	4°	10°	4°	10°
G	36°	45°	36°	45°
H	0.010		0.25	
J	0.248	0.264	6.30	6.70
K	0.130	0.146	3.30	3.70
L	0.264	0.287	6.70	7.30
M	0.027	0.030	0.68	0.76
N	0.060		1.53	

SOT-228 (REV: R0)

Pinouts

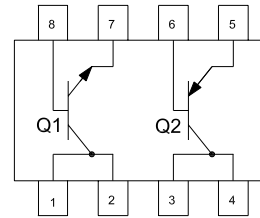
NPN/NPN CYTA44D, CYT5551D, CYT5551HCD



LEAD CODE:

- 1) COLLECTOR Q1
- 2) COLLECTOR Q1
- 3) COLLECTOR Q2
- 4) COLLECTOR Q2
- 5) EMITTER Q2
- 6) BASE Q2
- 7) EMITTER Q1
- 8) BASE Q1

NPN/PNP CYTA4494D

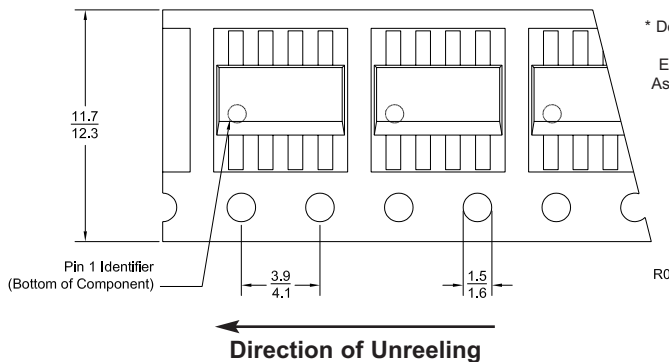


LEAD CODE:

- 1) COLLECTOR Q1
- 2) COLLECTOR Q1
- 3) COLLECTOR Q2
- 4) COLLECTOR Q2
- 5) EMITTER Q2
- 6) BASE Q2
- 7) EMITTER Q1
- 8) BASE Q1

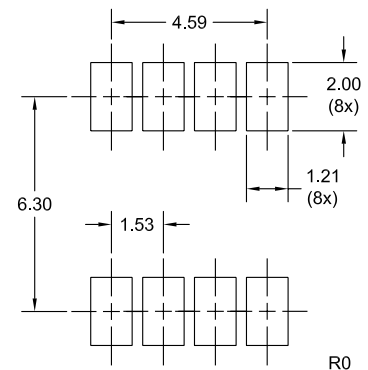
Tape Dimensions and Orientation (Dimensions in mm)

Tape Width: 12mm



* Devices are taped in accordance with Electronic Industries Association Standard EIA-481-1-A

Mounting Pad Geometry (Dimensions in mm)



CentralTM
Semiconductor Corp.

Innovations in Discrete Semiconductors

For further information contact:
Sales at Central Semiconductor Corp.
(631) 435-1110 or visit our website at:
www.centalsemi.com

145 Adams Avenue • Hauppauge • New York • 11788 • USA • Tel:(631) 435-1110 • Fax:(631) 435-1824